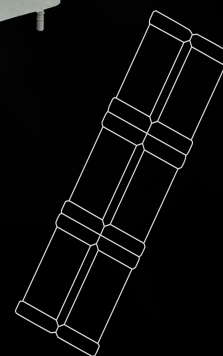
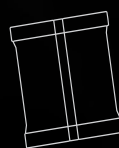




VPP 250 | VPP 350 | VPP 450

“Making the Difference”



FAWEMA

HDG

WOLF

VPP 250 | VPP350 | VPP 450

Low investment costs, low operating costs, fast amortization – the VPP is one of the most high-performance and cost-effective vertical machines, operating virtually wear- and maintenance-free. Best conditions for an economical packaging process.



Frozen execution

Efficient functions – economical operation

Driven by servomotors, all machine functions are effected with the highest precision, efficiency and reliability. From the wrapping material infeed to bag forming up to filling. The product dosing is effected exactly after the bottom sealing via synchronous dosing units, e.g. cup or auger feeders, scales or pumps.

- Compact, operator-friendly design
- Quick and easy size change
- Programmable control
- Colour touch screen
- Fault indication on display
- Electronic control for sealing tools and for bag length
- Photoeye control for accurate eyemark reading of printed films

- Electronic monitoring for sealing temperature and bag length
- Servo-driven cross sealing station
- Film draw-down servo-controlled
- Pneumatically operated Vertical jaw
- Pneumatically operated cutting knife
- Motor for film tracking cross adjustment
- Rapid opening film draw-down for fast film and format change
- Film width up to 840 mm for gusseted and stand-up bags
- Pneumatically actuated film shaft, unilaterally suspended
- Enclosed machine housing, dust-tight interior

Efficient for free-flowing, pourable and paste-like products from the food and non-food sector.

Secure, easy and convenient operation

A flexible programmable controller monitors, controls and optimizes all machine functions and production parameters. Production data are pre-installed in the programme memory (up to 100 programmes).

Parameters such as performance, format size, dosing quantity and moment as well as sealing temperature and film movement can be supervised and regulated by a colour touch panel. A user-friendly logic control prevents incorrect input.

Customer-specific options

- Impulse sealing system for PE
- Optimized gusseting device
- Automatic film tracking
- Corner creasing
- 4 corner sealing system (Stabil-Pack)
- Offset vertical seal
- Stainless steel design
- Modem for data transmission

The compact design fulfills highest hygiene requirements.

Future-compliant conception with long life expectancy

Wolf form, fill and seal packaging machines offer a high investment security, based on clear principles:

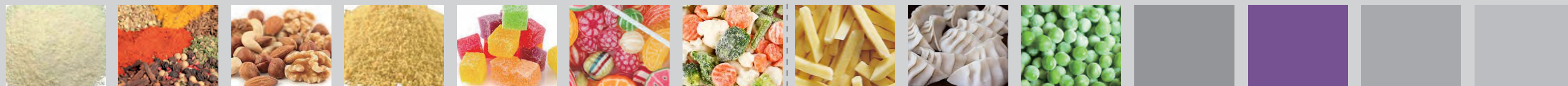
- Observance of strict quality standards for material and processing
- Minimization of the number of technical components due to a modular machine structure
- Innovative design and up-to-date technology, which enables easy retrofitting
- Qualified maintenance, fast service

The result: more efficiency on a narrow space and higher availability for a long life cycle.

Top quality accessory units and peripheral devices

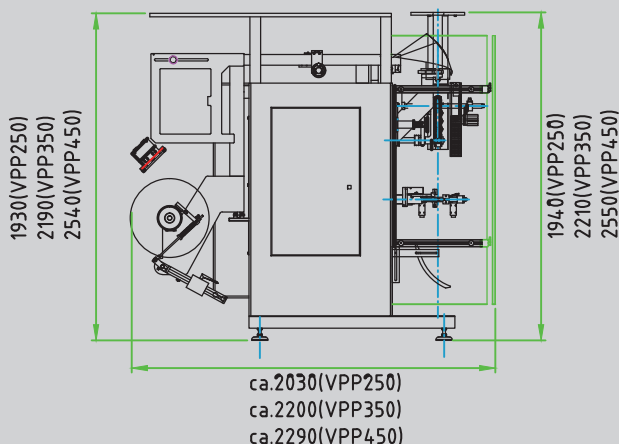
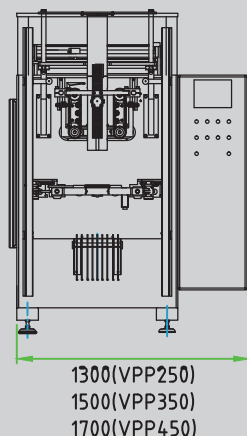
Dosers, weighers, automatic film splicers, infeed and inserting modules as well as rotary tables complete our programme of vertical, horizontal and top closing packaging machines. For more efficiency all along the line.

Leader in technology. With the experience of more than 3000 applications worldwide.



VPP 250 | VPP 350 | VPP 450

Technical Data Overview



	VPP 250 Heatseal	VPP 350 Heatseal	VPP 350 Impulse	VPP 450 Heatseal
Machine height	1930 - 1940 mm	2190 - 2210 mm	2190 - 2210 mm	2540 - 2550 mm
Machine width	1300 mm	1500 mm	1500 mm	1700 mm
Machine depth	2030 mm	2200 mm	2200 mm	2290 mm
Bag width	50 - 250 mm	80 - 350 mm	80 - 350 mm	100 - 450 mm
Bag length	50 - 400 mm	100 - 550 mm	100 - 550 mm	100 - 650 mm
Filling volume	6000 cm ³	15000 cm ³	15000 cm ³	20000 cm ³
Film reel diameter	400 (600)mm	max. 600 mm	max. 600 mm	600 mm
Performance*	100 bags / min	80 bags / min	60 bags / min	60 bags / min
Air requirements**	40 l / min at 5 bar	50 l / min at 5 bar	400 l / min at 5 bar	80 l / min at 5 bar
Energy requirements	4.5 kW	4.5 kW	6.5 kW	5.5 kW
Power supply	230/400 V, 3 Ph., N, 50/60 Hz	400 V, 3 Ph., N, 50/60 Hz	400 V, 3 Ph., N, 50/60 Hz	400 V, 3 Ph., N, 50/60 Hz
Protection system	IP 54	IP 54	IP 54	IP 54
Weight	1050 kg	1200 kg	1200 kg	1400 kg
Colour	RAL 9007	RAL 9007	RAL 9007	RAL 9007

* depending on product and wrapping material

** depending on performance

Subject to technical modifications

From engineering to operation, from the silo to the palletizer – we offer intelligent and complete solutions for efficient packaging lines from one source.

Wolf Verpackungsmaschinen GmbH

Bettenhäuser Str. 3 D-35423
Lich-Birklar Germany
Phone: +49 6404 9182-0
www.wolf-pack.de

Fax: +49 6404 9182-83
contact@wolf-pack.de

Wolf (Hangzhou) Packaging Machining Co., Ltd.

1001, 1st floor of Building 1, No.1672 Nanhuan Road,
Binjiang District, Hangzhou City, Zhejiang Province, China.
Tel.: + 86 571 81380020
info@wolf-pack.asia

Fax.: + 86 571 81380090
www.wolf-pack.asia