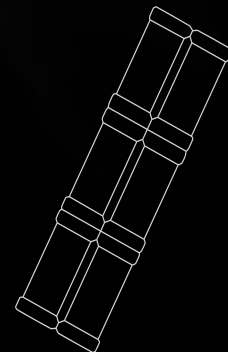
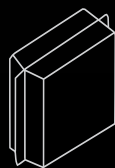


VCI 250

“Making the Difference”



FAWEMA

HDG

WOLF

VCI 250

Vertical high-performance machines with a unique cost-benefit ratio for small and medium sized bags. Customized function, alternatively on continuous or intermittent mode. Extremely efficient form, fill and seal process, gentle product handling.



Cost effectiveness and functional efficiency, gentle product handling

Servo driven moving and conveying functions. Accuracy and reliability, from the wrapping material infeed to bag shaping and seam sealing up to the filling, also for delicate products. The dosing process starts immediately after the bottom sealing via synchronized dosing units, such as cup or auger feeders, weighers or pumps.

- Continuous or intermittent mode upon customer's choice
- Nearly wear- and maintenance-free operation
- Quick and easy size change
- Compact, operator-friendly design
- Programmable control
- Colour touch screen

- Electronic control for bag length
- Photoeye control for accurate eyemark reading of printed films
- Servo driven cross sealing station
- Servo driven film draw-down belts
- Adjustable sealing time
- Adjustable stroke of cross sealing jaws (depending on bag size)
- Motor for film tracking adjustment
- Longitudinal jaws mechanically driven
- Film width up to 550 mm for gusseted and stand-up bags
- Operator-friendly safety doors with locking magnets

High efficiency for free flowing, pourable or paste-like products in the food and non-food sectors!

Safe operation, efficient resetting

The hardware and the software of the VCI are all over user-friendly. Up to 100 production programmes can be stored in the memory for the programmable control. All needed production parameters can be set via a colour touch screen. The logic control prevents out of range entries. All adjustments and settings can be made quickly and comfortably at the front side of the machine.

Customer-specific options

- Impulse sealing system for PE
- Optimized gusseting device
- Automatic film tracking
- Corner creasing on forming tube
- Offset vertical seal
- Stainless steel design
- Modem for data transmission
- 4 corner sealing system (Stabil-Pack)
- Duplex execution

The compact design fulfills highest hygiene requirements. Stainless steel design

Future-compliant conception with long life expectancy

Wolf form, fill and seal packaging machines offer a high investment security, based on clear principles:

- Observance of strict quality standards for material and processing
- Minimization of the number of technical components due to a modular machine structure
- Innovative design and up-to-date technology, which enables easy retrofitting
- Qualified maintenance, fast service

The result: more efficiency on a narrow space and higher availability for a long life cycle.

High quality additional and peripheral equipment

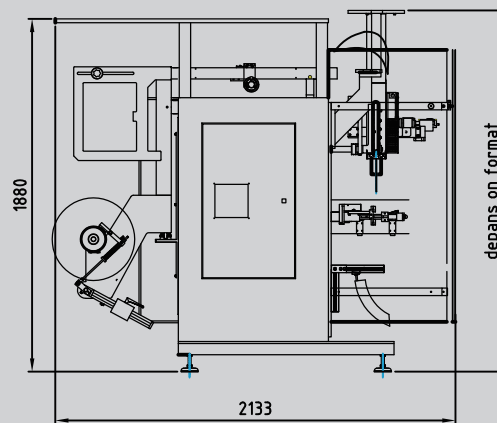
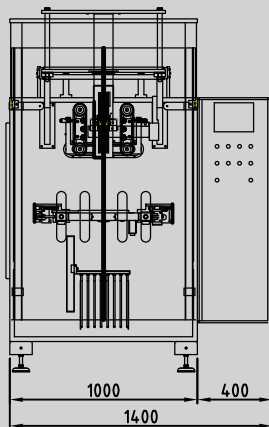
Dosers, weighers, automatic film splicers, infeed and inserting modules as well as rotary tables complete our programme of vertical, horizontal and top closing packaging machines. For more efficiency all along the line.

Leader in technology. With the experience of more than 3000 applications worldwide.



VCI 250

Technical Data Overview



Machine height	1880 mm
Machine width	1400 mm
Machine depth	2133 mm
Bag width	50-250 mm
Bag length	80-450 mm
Fillingvolume	6000 cm ³
Filmreel diameter	600 mm
Performance*	upto 150 bags /min
Air requirements **	40l/min at 6 bar
Energyrequirement	4.5 kW
Mainsconnection	400V , 3Ph., N, 50/60H
Type of protection	IP 54
Weight	1000 kg
Colour	RAL 9007

* depending on product and wrapping material

** depending on performance

Subject to technical modifications

From engineering to operation, from the silo to the palletizer – we offer intelligent and complete solutions for efficient packaging lines from one source.

Wolf Verpackungsmaschinen GmbH

Bettenhäuser Str. 3 D-35423

Lich-Birklar Germany

Phone: +49 6404 9182-0

www.wolf-pack.de

Fax: +49 6404 9182-83

contact@wolf-pack.de

Wolf (Hangzhou) Packaging Machining Co., Ltd.

1001, 1st floor of Building 1, No.1672 Nanhuan Road, Binjiang District, Hangzhou City, Zhejiang Province, China.

Tel.: + 86 571 81380020

info@wolf-pack.asia

Fax.: + 86 571 81380090

www.wolf-pack.asia