

VPZ 140 Variation “Making the difference”



VPZ 140 Variation

This multifunctional form, fill and seal machine combines low investment costs as well as low operational costs with high availability to quick amortization. Established vertical concept, sturdy construction, modern PLC control, virtually wear- and maintenance free operation – the user gains an economical and efficient packaging process.



Precision and reliability at all machine functions

Established Wolf machine technology: The wrapping material coming from the flat reel is formed into a tube, the exact product weight is filled in and the film is sealed to become the finished bag.

Precise accuracy for film transport and film guidance, photo-eye controlled exact positioning of the printed image, automatic control of the sealing temperature – the result is an efficient, qualitative packaging process.

- Nearly wear- and maintenance-free operation
- Robust construction
- Very compact low design
- PLC control unit
- Quick and easy size change
- Short time for conversion eg. from pillow bags to 3-side-sealed bags

- Film draw-down via cross jaws
- Left/right film adjustment, directly on the forming tube
- Pneumatically actuated film shaft
- Electronic temperature control
- Automatic sealing temperature check
- Operator-friendly safety doors with locking magnets
- Electronically adjustable jaw stroke for the required bag length
- Servo-driven cross sealing jaws movement with the film, allowing longer sealing time
- Modern drive technology: jaw stroke via servo-motor

Fast and easy conversion, secure and comfortable operation

A user-friendly machine concept leads to a user-friendly operation. A modern and advanced programmable PLC control monitors, regulates and optimizes all machine functions and production parameters. Up to 100 user-specific production programmes can be pre-installed.

The operator can control all necessary parameters by a touch panel.

Outstanding cost efficiency for the packing process of snacks, sweets and food products.



All machine functions and machine actuators are easy accessible. The low design allows a checking of the synchronized dosing or weighing devices without an additional ladder.

Customer-specific options

- Upgrading to 4-side-sealed bags
- Stainless steel design

Duplex Execution

Compact design and modular technology for outstanding efficiency.

Future-compliant conception with long life expectancy

Wolf form, fill and seal packaging machines offer a high investment security, based on clear principles:

- Observance of strict quality standards for material and processing
- Minimization of the number of technical components due to a modular machine structure
- Innovative design and up-to-date technology, which enables easy retrofitting
- Qualified maintenance, fast service

The result: more efficiency on a narrow space and higher availability for a long life cycle.

Top quality accessory units and peripheral devices

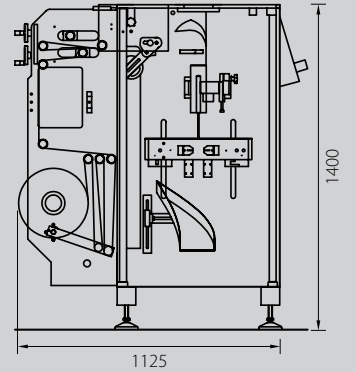
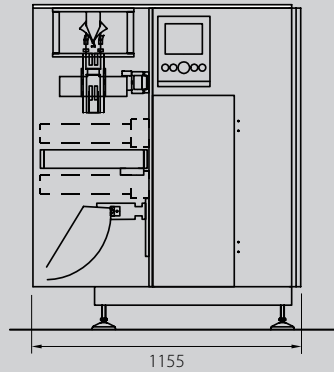
Dosers, weighers, automatic film splicers, infeed and inserting modules as well as rotary tables complete our programme of vertical, horizontal and top closing packaging machines. For more efficiency all along the line.

Leader in technology. With the experience of more than 3000 applications worldwide.



VPZ 140 Variation

Technical Data Overview



Dimensions in mm

VPZ 140 Variation

Machine height	1400 mm
Machine width	1125 mm
Machine depth	1155 mm
Bag width	40 – 140 mm
Bag length	30 – 190 mm
Filling volume	300 cm ³
Film reel diameter	400 mm
Performance*	90 bags / min
Air requirements **	120 l / min at 6 bar
Energy requirement	2.5 kW
Mains connection	230/400 V, 3 Ph., N, 50/60 Hz
Type of protection	IP 54
Weight	600 kg
Colour	RAL 9007

* depending on product and wrapping material

** depending on performance

Subject to technical modifications

From engineering to operation, from the silo to the palletizer – we offer intelligent and complete solutions for efficient packaging lines from one source.

Wolf Verpackungsmaschinen GmbH

Bettenhäuser Str. 3 D-35423
Lich-Birklar Germany
Phone: +49 6404 9182-0
www.wolf-pack.de

Fax: +49 6404 9182-83
contact@wolf-pack.de

Wolf (Hangzhou) Packaging Machining Co., Ltd.

1001, 1st floor of Building 1, No.1672 Nanhuan Road,
Binjiang District, Hangzhou City, Zhejiang Province, China.
Tel.: + 86 571 81380020
info@wolf-pack.asia

Fax.: + 86 571 81380090
www.wolf-pack.asia