

ACP-700 series

High speed, complete
case packing solution





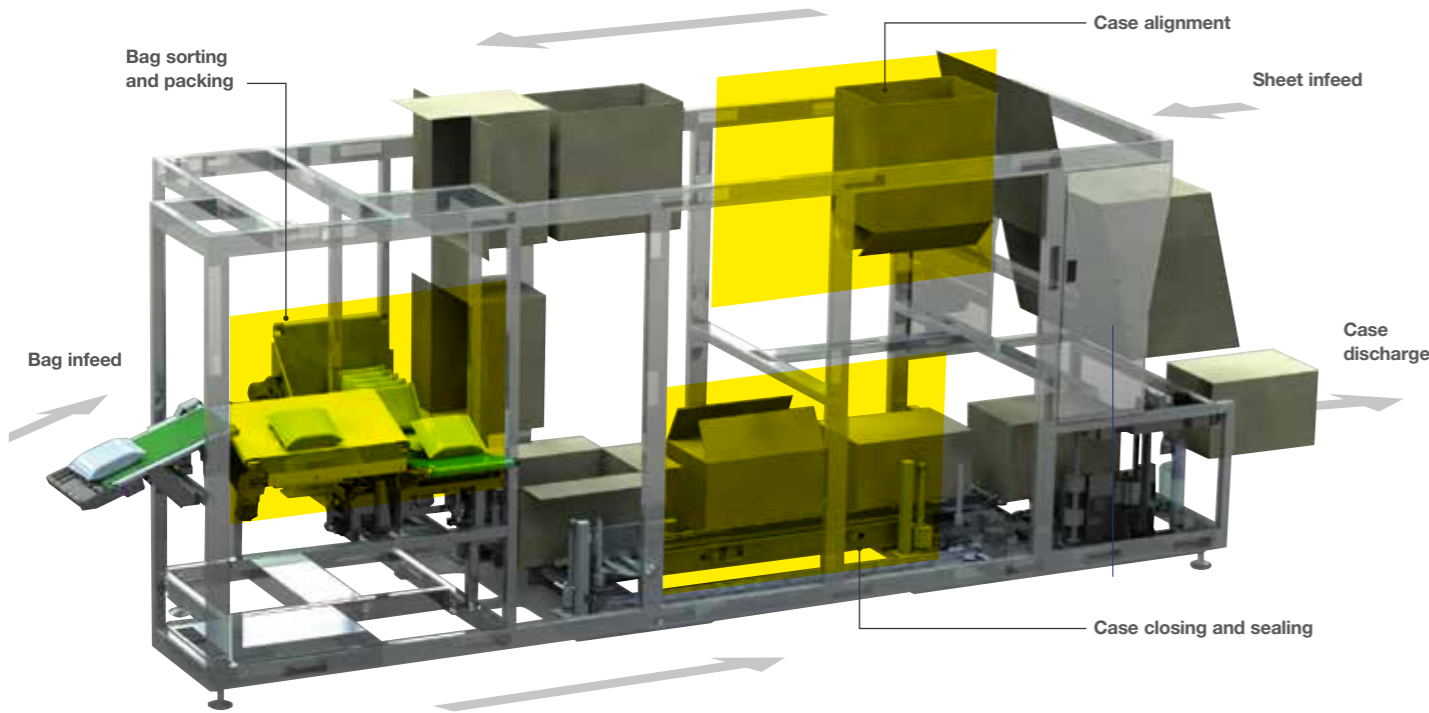
ACP-700 series

ACP-700 series

All-in-one case packer for superior performance

Presenting the next generation in casepacking.

The ACP-700 is a fully automated system based on Ishida's vast experience in the snack foods sector around the world. The ACP-700 combines case packing, case alignment, bag packing, sorting, closing, and sealing in one machine, for a wide range of bag sizes, case sizes, and pack patterns.



A compact system for the highest efficiency from one single supplier

Case aligning and closing mechanisms are fully integrated, removing the need for additional conveyors and thereby creating an all-in-one case packing solution.

- ▲ The small footprint enables easy installation and integration into your existing production line
- ▲ Accommodates twin layout solutions
- ▲ Optimal design for industry-standard infeed centreline of 920mm

Fully automated changeovers

Preset options allow for the machine to be automatically set up in 3 minutes, without the need for tools or any other manual operation.

This simple changeover function eliminates complications that can happen with manually operated alternatives, such as machine faults, human errors and excessive downtime.

Easy operation and maintenance

15.3" large colour HMI displays easy to use menus for monitoring machines at a glance. The intuitive screen design reduces the opportunity for human error, with on-screen set up guides for all functions available.

The open machine structure has wide-set doors and in-machine lighting, making all parts of the system easy to access and visible at all times during operation and maintenance.

In-process monitoring allows for operators to assess production efficiency and maximise output as much as possible.

Wide variety of pack sizes, format and style

Optimal performance for a wide range of global packaging requirements

As the industry-leading universal case packer, the ACP-700 can offer case packing for bag sizes of 108mm - 330mm width with many bag type, including pillow, side gusset, flat bottom, HEM, and different pack patterns without changing parts. By setting case size and bag size in the HMI, appropriate time values and mechanical settings are automatically selected. Up to 500 presets are available.

Quality Assurance

The seal tester checks for defective packs, for example gross leakers and over or under inflated packs.

The ACP-700 inline monitoring function counts packs to ensure the correct case count in every case.

The ACP-700 receives pack air-fill data directly from the Ishida seal checker making instant adjustments to ensure reliable pack handling.

Full integration with your complete production line

The ACP-700 is designed fully compatible with the Ishida product range. As part of a full solution, producers can vastly increase efficiencies and reduce downtime with the case packer in combination with Ishida multihead weighers and bagmakers. Due to interfacing capabilities in Ishida equipment, operators can easily monitor the entire production line and ensure maximal output and performance.



Standup Major



Standup Minor

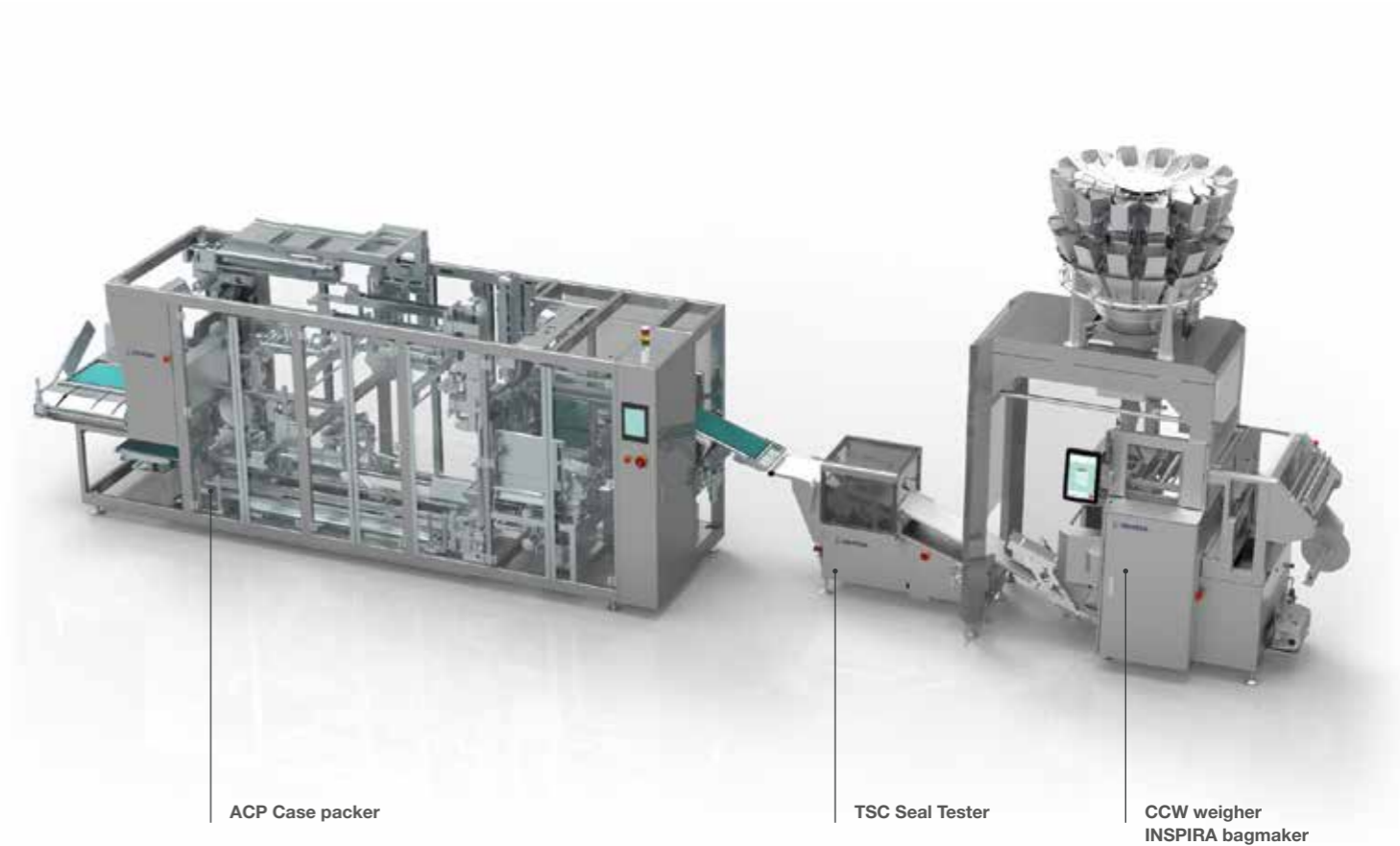


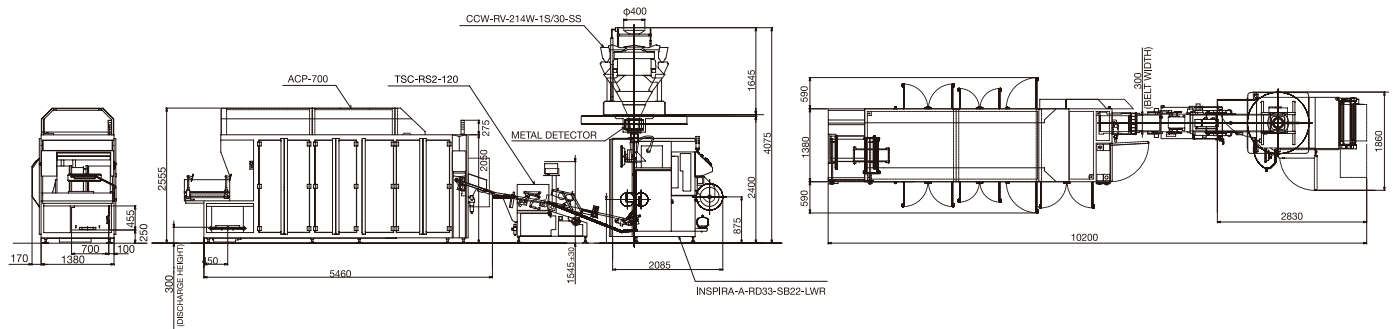
Multiple Layer



Side pack* option

ACP-700 Case Packer





Specifications

ACP-700

Speed(*1)		10 case/min, 150 bpm
Bag Sizes(*2)	Width	108mm – 330mm
	Length	Stand Up :120mm – 375mm, Side Pack :120mm – 400mm
	Thickness	22.5mm – 120mm
Case Sizes(*3)	Width	300mm – 400mm
	Length	400mm – 600mm
	Height	125mm – 375mm
	Flap Length	150mm – 200mm
Tape (*4)	Width	48mm
	Core Diameter	Max 300mm
Pack Pattern (*5)		Stand-Up Major/Minor, Side-Pack Major/Minor Number of rows: UP to 15, Number of layer UP to 3
Power Supply		Three Phase 380,400,415,440,480V Electricity Consumption :18.8kVA 23A(480V 50/60Hz)
Air Consumption		550 litres/min (ANR) 0.5 Mpa
Machine Weight		Approx. 3500kg
Structure		IP-30 (International Standard)
Material		Main Frame Powder Coated steel
Regulation		CE RoHS IEC61131-3(PLC regulation)

Design and specifications are subject to change without notice.

(*1) Running speed depends on the bag and case size, sheet strength, sheet dimension tolerance, film material, pack pattern, case printer, and case turning function on case discharge conveyor.

(*2) Running condition depends on bag speed, case size, pack pattern, bag weight and product type/volume, ratio of bag width : length : air fill.

(*3) Case dimension tolerance is ± 5 mm

(*4) Tape spec is same spec as Intertape 7100(8100)

(*5) Max bag count, row number, layer number will rely on bag/case size and speed.

ISHIDA EUROPE LIMITED
Kettles Wood Drive
Woodgate Business Park
Birmingham
B32 3DB
United Kingdom
Tel: +44 (0)121 607 7700
Fax: +44 (0)121 607 7888
info@ishidaeurope.com

ISHIDA CZECH REPUBLIC
Tel: +420 317 844 059
Fax: +420 317 844 052
info@ishidaeurope.cz

ISHIDA ROMANIA
Tel: +40 (0)21 589 73 52
Fax: +40 (0)21 310 34 22
info@ishidaeurope.ro

ISHIDA FRANCE
Tel: +33 (0)1 48 63 83 83
Fax: +33 (0)1 48 63 24 29
info@ishidaeurope.fr

ISHIDA RUSSIA AND CIS
Tel: +7 499 272 05 36
Fax: +7 499 272 05 37
info@ishidaeurope.ru

ISHIDA GERMANY
Tel: +49 (0)791 945 160
Fax: +49 (0)791 945 1699
info@ishida.de

ISHIDA SOUTH AFRICA
Tel: +27 (0)11 976 2010
Fax: +27 (0)11 976 2012
info@ishidaeurope.com

ISHIDA MIDDLE EAST
Tel: +971 (0)4 299 1933
Fax: +971 (0)4 299 1955
ishida@ishida.ae

ISHIDA SWITZERLAND
Tel: +41 (0)41 799 7999
Fax: +41 (0)41 790 3927
info@ishida.ch

ISHIDA NETHERLANDS
Tel: +31 (0)499 39 3675
Fax: +31 (0)499 39 1887
info@ishida.nl